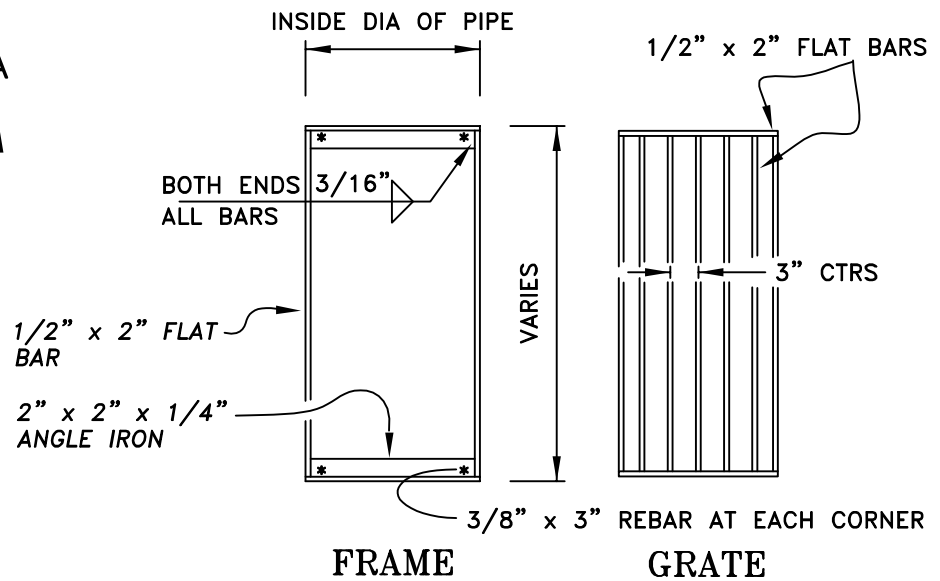
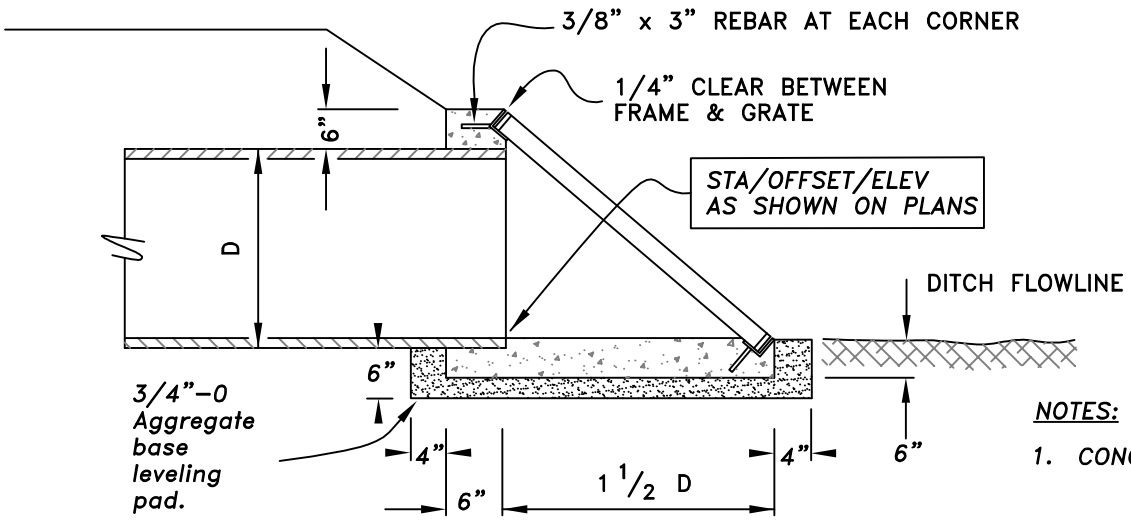


PLAN - ENTRANCE INLET



FRAME

GRATE



ELEVATION - ENTRANCE INLET SECTION A-A

NOTES:

1. CONCRETE SHALL BE: CLASS 3300 - 3/4" (MAX) 4-6% ENTRAINED AIR
2. STRUCTURAL STEEL TO BE ASTM A36
3. STEEL REINFORCING TO BE ASTM A615
4. MODIFIED VERSIONS OF THIS INLET MAY BE USED WITH PRIOR APPROVAL FROM THE ENGINEER.

JACKSON COUNTY ROADS
DALE W. PETRASEK, P.E.
COUNTY ENGINEER

Date	By	Revision
1/2002	TMJ	

STANDARD ENTRANCE INLET
I:\Engineering\Library\County\English\InletEntrance.dwg
SHEET 1 OF 1 SCALE: NO SCALE



JACKSON COUNTY
Roads